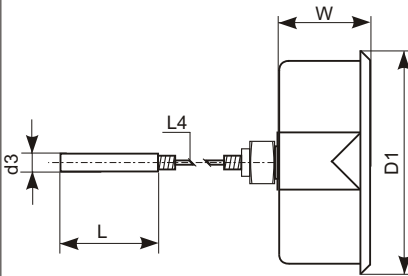




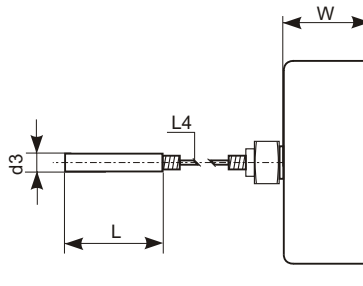
VAPOUR FILLED THERMOMETER DIMENSIONS

Type V3: Stainless steel case. Brass internals.

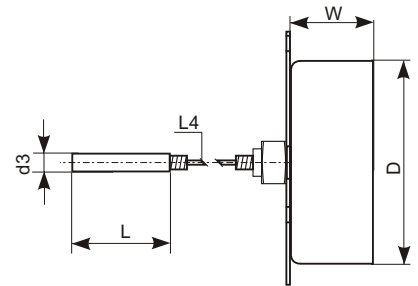
DIMENSIONS OF GAS - IN METAL THERMOMETERS AND THERMOWELLS



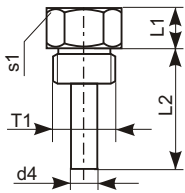
Rear connection, narrow front ring.
Clamp type panel mounting



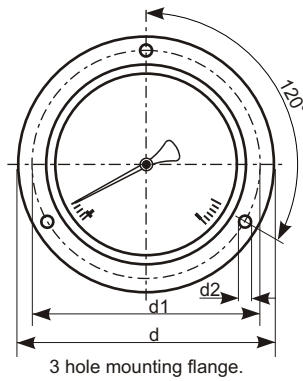
Rear connection, 3 hole front flange.
Panel mounting



Rear connection, 3 hole rear flange.
Surface mounting



Brass thermowell
(pocket)



3 hole mounting flange.

VAPOUR FILLED THERMOMETER DIMENSIONS (in mm)									Panel cut out to suit back entry gauges		Weight in kg	
Case Ø	D	D1	d	d1	d2	d3	s	W	3 Hole MTG	Clamp MTG	Dry	Glyc filled
50	50	59	70	60	3.6	7	14 Sq	31.5	55	51	0.15	0.2
63	63	73	84	75	3.6	7	14 Sq	35.5	68	64	0.2	0.3
80	80	90	110	95	4.8	7	14 Sq	37	86	81	0.3	0.55
100	100	110	132	116	4.8	7	14 Sq	50	106	101	0.5	0.8

SOLID MACHINED BRASS THERMOWELL DIMENSIONS (in mm)				
d4	L1	L2	s1	T1
10.2	14	30	22 Hex	1/4", 3/8", 1/2" BSP / NPT male thread standard. Other specifications on request.

Due to continuous product development, product might vary from brochure. Please contact S.A Gauge to verify.