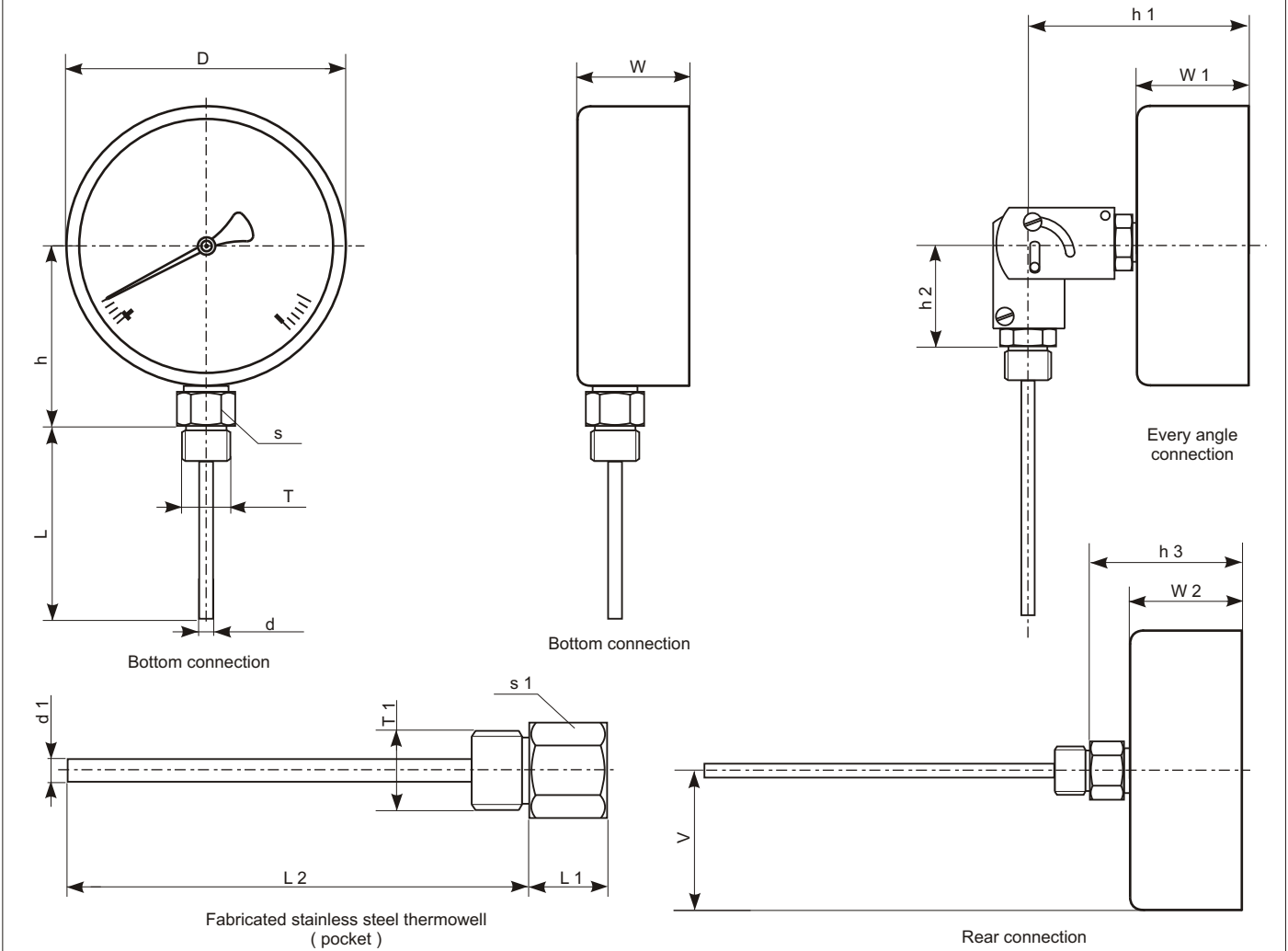




BIMETAL THERMOMETER DIMENSIONS

Type B4: All stainless steel construction

DIMENSIONS OF BIMETAL THERMOMETERS AND THERMOWELLS



| BIMETAL THERMOMETER DIMENSIONS (in mm) | | | | | | | | | | | | | Weight in kg | |
|---|-----|---|------|----|----|----|--|--------|---|----|----|----|-----------------|----------------|
| Case Ø | D | d | h | h1 | h2 | h3 | L | s | T | W | W1 | W2 | Dry | Glyc filled |
| 50 | 50 | 6 | 45 | 82 | NA | 44 | Standard lengths 65, 100, 150, 200, 250& 300mm. | 22 Hex | 1/2" BSP / NPT Standard. Other sizes on request. | 32 | 32 | 32 | 0.15 | 0.2 |
| 63 | 63 | 6 | 51.5 | 85 | 47 | 47 | | 22 Hex | | 35 | 35 | 35 | 0.2 | 0.3 |
| 80 | 80 | 6 | 60 | 85 | 47 | 47 | | 22 Hex | | 37 | 35 | 35 | 0.3 | 0.55 |
| 100 | 100 | 6 | 70 | 85 | 47 | 47 | Non standard & other lengths up to 500mm available on request. | 22 Hex | | 50 | 35 | 35 | 0.5 | 0.8 |
| 120 | 120 | 6 | 80 | 85 | 47 | 47 | | 22 Hex | | 50 | 35 | 35 | 0.5 | 0.8 |
| 150 | 150 | 6 | 95 | 85 | 47 | 47 | | 22 Hex | | 50 | 35 | 35 | 0.8 | 1.5 |

| FABRICATED THERMOWELL DIMENSIONS (SOLID MACHINED ON REQUEST) (in mm) | | | | |
|---|----|---|--------|--|
| d1 | L1 | L2 | s1 | T1 |
| 10 | 25 | Standard lengths: 45, 80, 130, 180, 230, 280mm Non standard lengths & other specifications on request. | 27 Hex | 1/2" BSP / NPT male thread standard. Other specifications on request. |

Due to continuous product development, product might vary from brochure. Please contact S.A Gauge to verify.