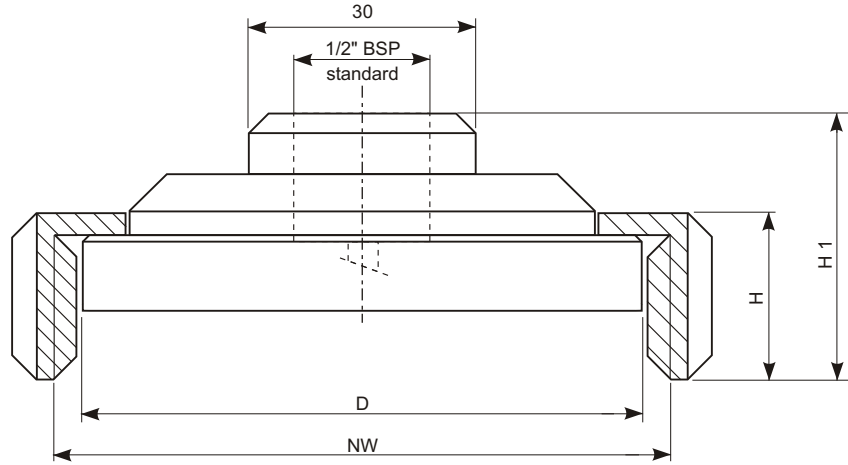




DIAPHRAGM SEAL DIMENSIONS

Types NW - MINI - HOM

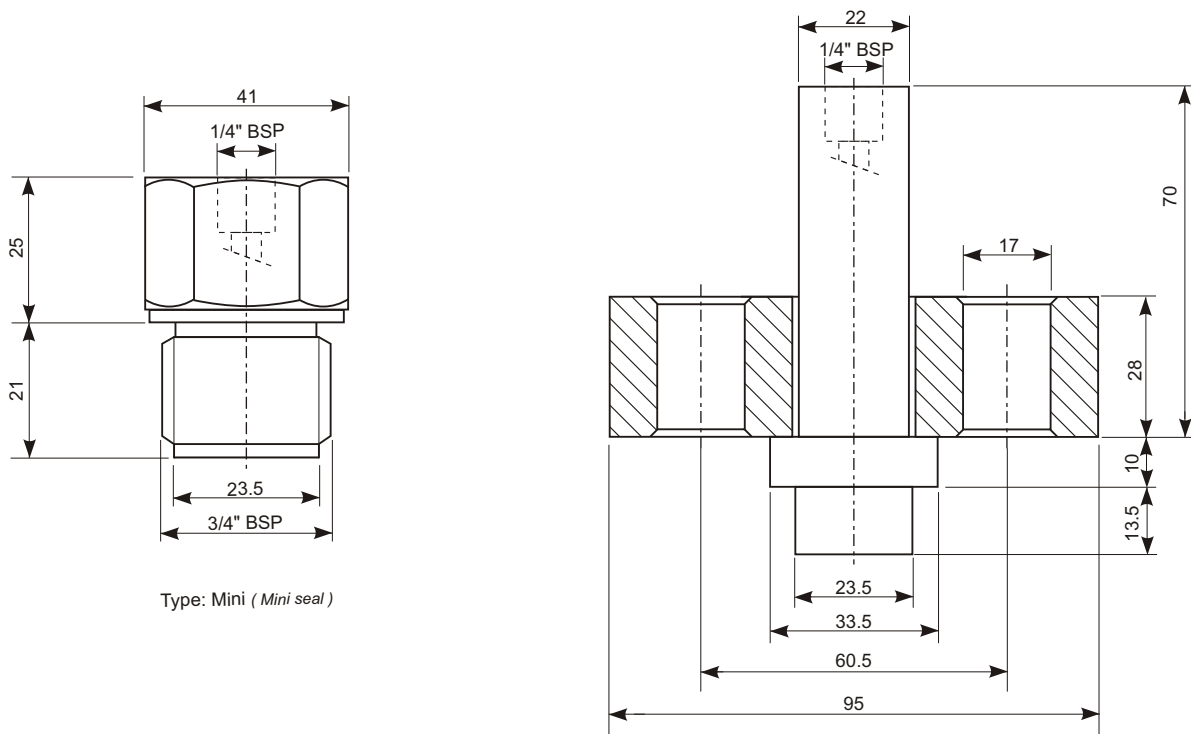
DIMENSIONS OF DIAPHRAGM SEAL TYPE NW



**DIMENSIONS OF DIAPHRAGM SEAL TYPE NW
(in mm)**

| Union Nut | D | D1 | H | H1 | Weight in kg |
|-----------|------|----|----|----|--------------|
| 25 | 47 | 52 | 21 | 34 | 0.35 |
| 40 | 60.5 | 65 | 21 | 34 | 0.60 |
| 50 | 63 | 78 | 22 | 36 | 0.70 |

DIMENSIONS OF DIAPHRAGM SEAL TYPE MINI & TYPE HOM



Type: Mini (Mini seal)

Type: HOM (Homogeniser seal)

Due to continuous product development, product might vary from brochure. Please contact S.A Gauge to verify.