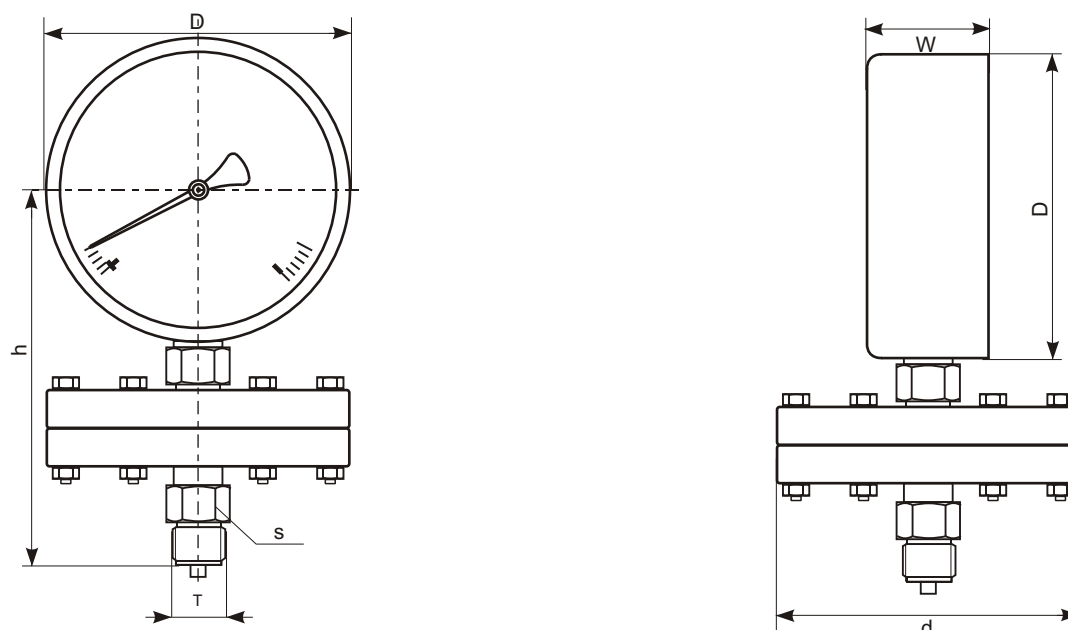



DIAPHRAGM PRESSURE GAUGE DIMENSIONS
Type SCH
DIMENSIONS OF DIAPHRAGM PRESSURE GAUGES

**PRESSURE GAUGE CASE & FLANGE DIMENSIONS
(in mm)**

 Weight
in kg

Case Ø	Range	D	d	h	s	T	Weight in kg		
							W	Dry	Glyc filled
100	0-2.5, 0-4, 0-6, 0-10, 0-16, 0-25, 0-40 kPa Compound & vacuum ranges available on request.	100	160	135	22 Hex	½" BSP male standard, other threads on request.	50	3.5	3.8
150		150		160			47	3.8	4.5
100	0-60, 0-100, 0-160, 0-250, 0-400, 0-600, 0-1000, 0-1600, 0-2500 kPa Compound & vacuum ranges available on request.	100	95	135	22 Hex	½" BSP male standard, other threads on request.	50	1.7	2.0
150		150		160			47	2.0	2.7