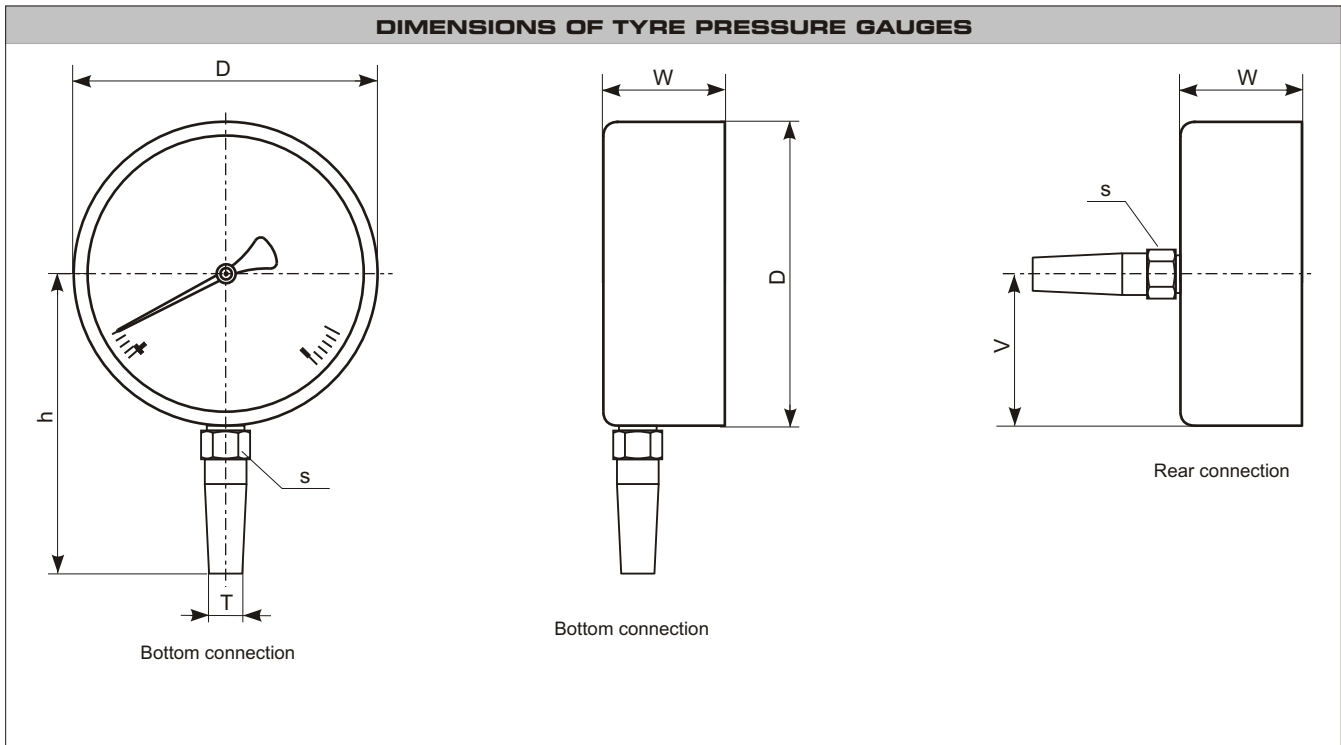




**TYRE PRESSURE GAUGE DIMENSIONS**  
**Type 3: Stainless steel case with brass internals**



| PRESSURE GAUGE CASE & FLANGE DIMENSIONS<br>( in mm ) |     |      |        |                        |      |      |      | Weight<br>in kg |                |
|--|-----|------|--------|------------------------|------|------|------|-----------------|----------------|
| Case<br>Ø  | D   | h    | s      | T                      | V    | W    | W1   | Dry             | Glyc<br>filled |
| 50   | 50  | 65   | 14 Hex | Standard valve fitting | 25   | 31.5 | 71.5 | 0.2             | 0.3            |
| 63   | 63  | 71.5 | 14 Hex | Standard valve fitting | 31.5 | 35.5 | 75.5 | 0.3             | 0.55           |
| 80   | 80  | 80   | 14 Hex | Standard valve fitting | 40   | 37   | 77   | 0.5             | 0.8            |
| 100  | 100 | 90   | 14 Hex | Standard valve fitting | 50   | 50   | 90   | 0.8             | 1.5            |